

Surge Protection on Ethernet

- https://www.bourns.com/pdfs/bourns_ethernet_poe_article.pdf
- <http://www.akrossilicon.com/home/component/jdownloads/finish/3-whitepapers/29-ethernet-esd-compliance-w-as1602-wp12-rev1-3-pdf>

Protecting the Primary-Side of the Transformer

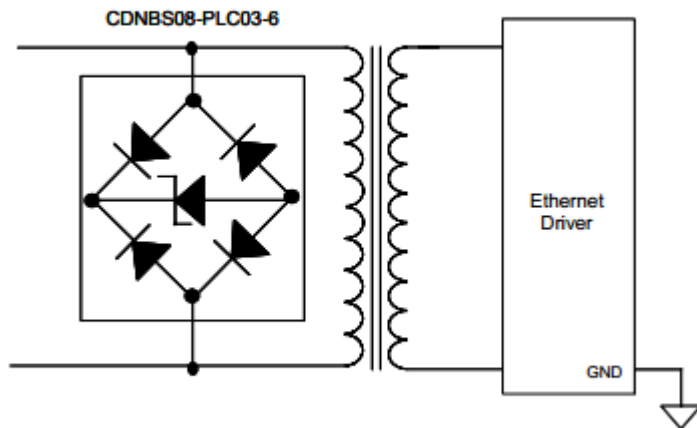
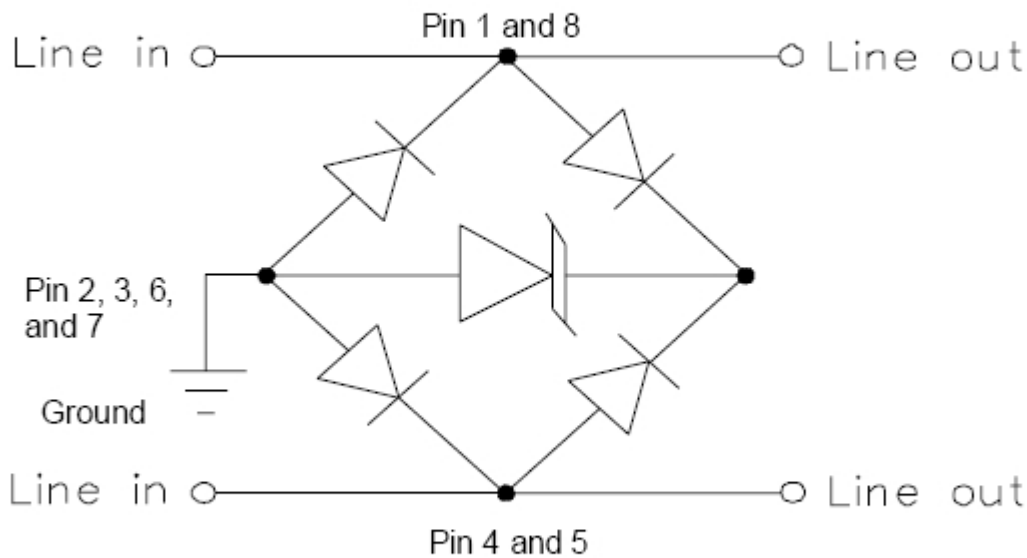


Figure 3 – Primary-side protection using PLC03 series



PCB Spark Gaps

- http://www.youtube.com/watch?v=vfP_65gSSBU
- Breakdown voltage = $(3000 * \text{air_pressure_atm} * \text{distance_mm}) + 1350$
 - 0.1mm = 1650V
 - 0.2mm = 1950V

From:

<https://wiki.spoje.net/> - **SPOJE.NET**

Permanent link:

https://wiki.spoje.net/doku.php/howto/electro/ethernet_surge_protection

Last update: **2016/10/29 23:05**

